

Pressix CC 27

sikla

The compact
quick-strut system



small
strong

efficient!

1

push in...



2

tighten...



...that's it!

Pressix CC 27

Intelligent installation!

This is how the fastest and most efficient fixing system for channel assemblies works:

- ◆ The channel nut pivots and locks automatically into the profile
- ◆ The part is immediately retained and cannot fall out
- ◆ Its position can then easily be adjusted
- ◆ Tighten the nut – that's it!

The fast and secure Pressix CC 27 assembly system is most suitable for efficient installation of small and medium size loads. Pre-assembled parts and the innovative design reduce conventional assembly costs by up to 50%!

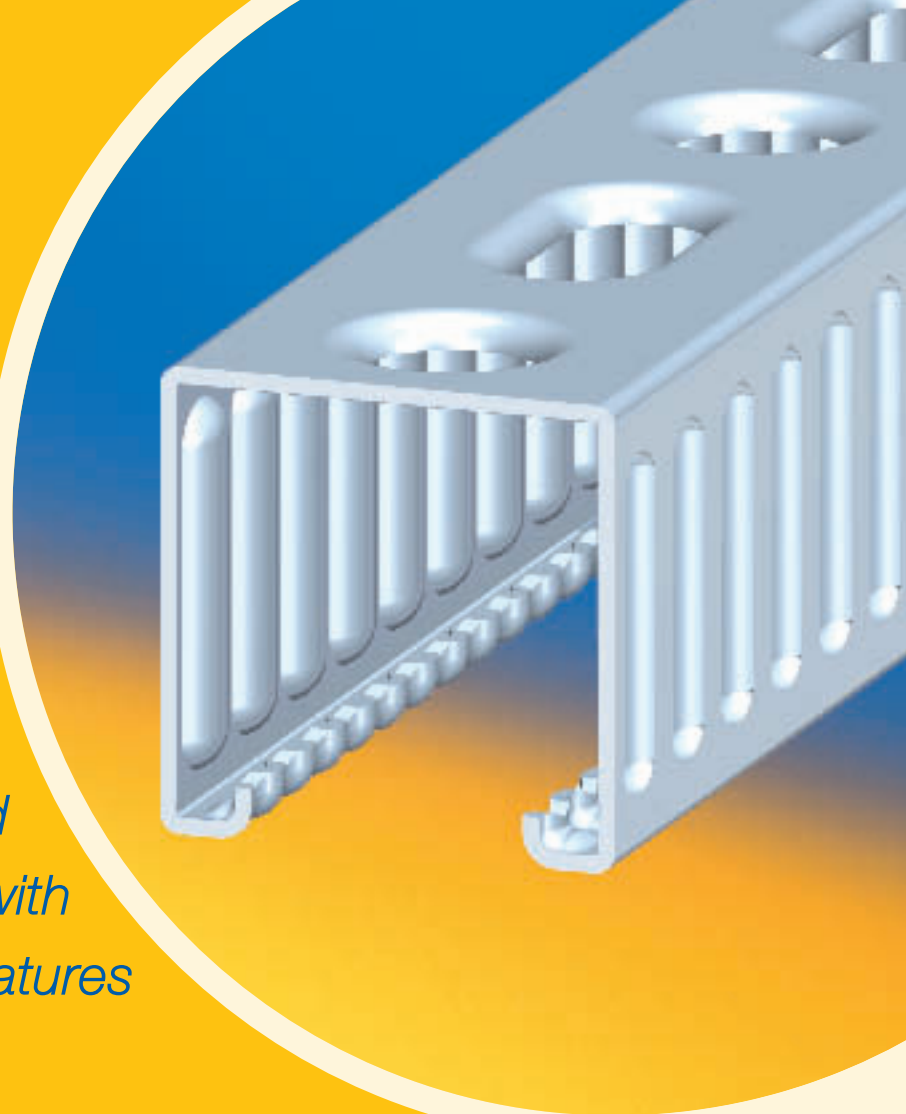
Safety is another important aspect not overlooked: the unique shape of the channel, as well as the form-fit locking by means of the channel nut, allow higher loads and additional security.

Whether for simple pipe fixing or for complex structures – Pressix makes the assembly fast, simple and secure to install!

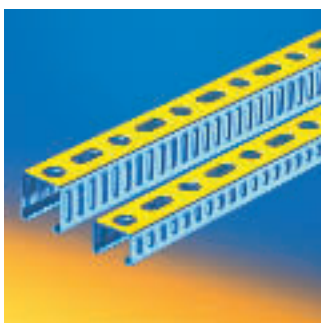
Quality in detail

Only new, innovative manufacturing technology makes the unique 3-dimensional structure of the Pressix 27 channel possible. Moulded 3D-corrugated edges and sides guarantee a high degree of stability and torsional stiffness.

The efficient, fast and secure assembly system with built-in safety features



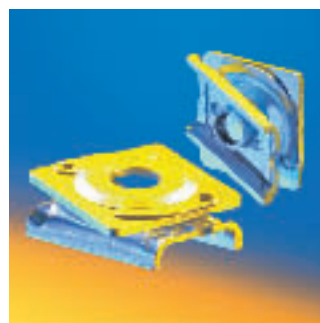
The compact product range for your application!



Channel 27/27, 27/15



Blockset CC 27



Block 27



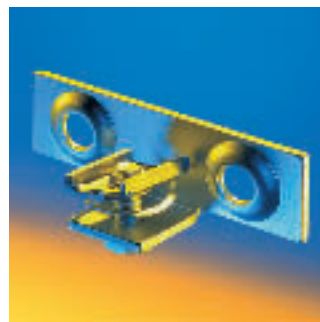
Channel nut CC 27



Cantilever bracket 27



Angle connector CC 27-90°



Fitting Set 27

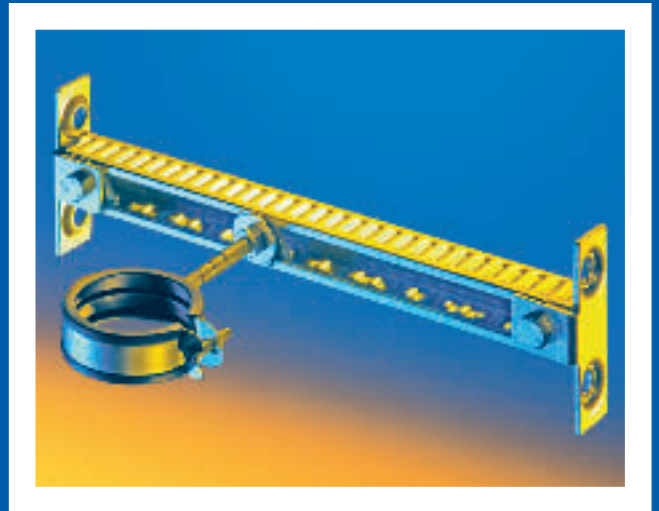


Channel holder 27

Pressix CC 27 – assembly examples



CC 27 – 90° connector



Fitting Set 27



Channel holder 27

Fast, simple, secure!

Pressix CC 27 complies with the highest quality requirements, makes installation easier and offers considerable time and cost-savings, plus a high level of security – Try it out!

Sikla GmbH
Export & Overseas Dept.
In der Lache 17
78056 VS-Schwenningen
Germany
Tel. +49 7720 948 453
Fax +49 7720 948 353
E-mail: export@sikla.de
www.sikla.com

Sikla UK Limited
3-4 Canons Road,
Canons Ind. Park, Old Wolverton
Milton Keynes MK12 5TL
United Kingdom
Tel. +44 1908 227 406
Fax +44 1908 220 968
E-mail: sales@sikla.co.uk
www.sikla.co.uk